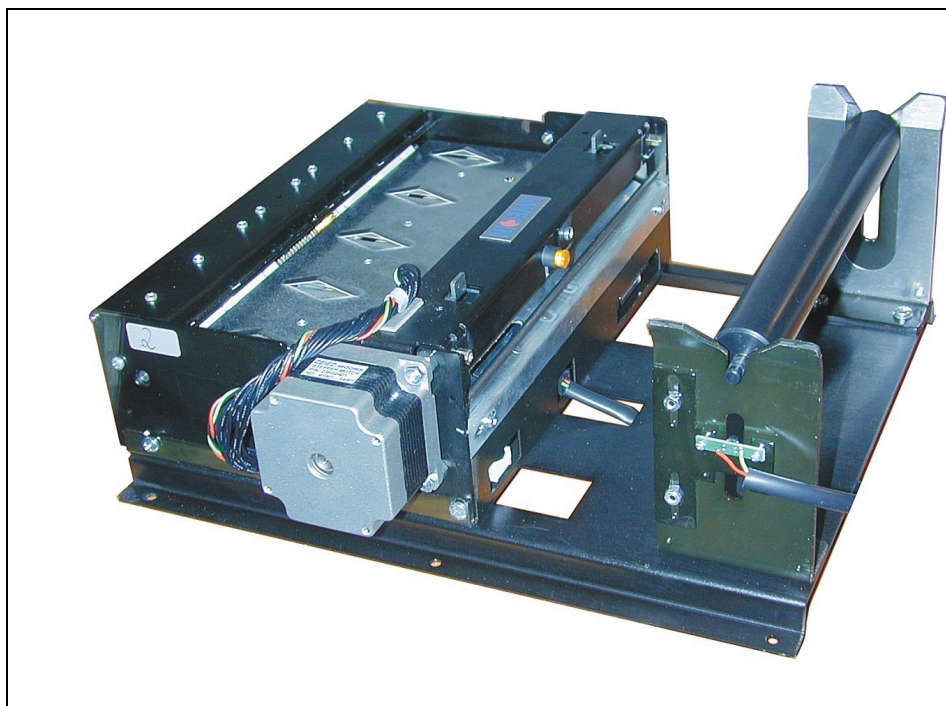


TTP 8x00/A4 Kiosk Printer

Service Manual



Acknowledgments

Adobe and *Acrobat* are trademarks of Adobe Systems Incorporated

Windows, *Windows NT*, and *Windows XP* are trademarks of Microsoft Corporation

This is a publication of Swecoin AB
Box 322, SE-192 30 SOLLENTUNA, Sweden

Phone +46 8 623 45 60

Fax +46 8 594 709 89

E-mail techsupport@swecoin.se
sales@swecoin.se

Web site <http://www.swecoin.se>

© Swecoin AB 2001

All rights reserved. Reproduction in whole or in parts is prohibited without written consent of the copyright owner. We have taken great care to ensure that the information in this manual is correct and complete. However, if you discover any errors or omissions, or if you wish to make suggestions for improvements, you are welcome to send your comments to us. Swecoin AB disclaims any liability resulting from the use of this information and reserves the right to make changes without notice.

Edition AX, February 2002

Printed in Sweden

CONTENTS

1 Introduction	4
1.1 About this manual	4
1.2 Updating	4
1.3 Safety precautions	4
2 Replacement Parts	5
2.1 TTP 8200 final assembly	6
2.2 Printhead assy.	8
2.3 Cutter Module assy.	10
2.4 Presenter module assy.	12
2.5 Presenter plate assy., loop upwards	14
2.6 PCB cover assy.	16
3 Diagrams	17
3.1 Control board 100981	17
3.2 Presenter module electrical assy. 101464.....	22
3.3 Presenter module electrical assy. 101635.....	23

REGISTER NOW!

If you wish to stay informed of product changes, manual updates etc., you are welcome to subscribe to our bulletin service.

To register as a subscriber, visit our web site <http://www.swecoin.se> to fill in your subscription request.

REVISION HISTORY

Edition A, major changes

First issue released

1 INTRODUCTION

1.1 About this manual

This manual contains information required to repair the TTP 8200.

1.2 Updating

This manual will be updated as, from time to time, printer functions and features may be added or amended. You will always find the latest edition on our web site (<http://www.swecoin.se>). You can order printed copies of the current manual by e-mail, fax, or phone.

If you require functions not found in the manual edition at your disposal, you are welcome to consult one of our representatives for information.

1.3 Safety precautions


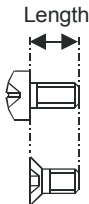







Handling the printer in a safe way requires that you keep your fingers away from the cutting mechanism when the power is switched ON.

2 REPLACEMENT PARTS

Items coded **SP** are standard spare parts.

1. Screws, washers, nuts etc. are available in a common hardware store, and are thus not supplied as spare parts.
2. Parts that are considered as not being worn by normal printer use are not spare parts, for example the printer chassis.

Should you require any of these "non-spare parts", contact Swecoin for advice. Other price and delivery conditions may apply for non-coded items.

Standard hardware			
Designation example	How to interpret the designation	Illustration	How to measure
Screw MRX-H M3x5	Panhead screw. Thread: M3. Length: 5 mm		
Screw MFX-H M3x6	Countersunk screw. Thread: M3. Length: 6 mm		
Screw M6S M6x16	Hex head screw. Thread: M6. Length: 16 mm		
Screw MC6S M6x12	Allen-head screw. Thread: M6. Length: 12 mm		
Screw FXS-H ST 2.9x6.5	Countersunk Screw. Self-threading. Ø2.9 mm. Length: 6.5 mm		
Screw, RXK-H ST 2.9x8	Panhead screw, Self-threading. Ø2.9mm. Length:8 mm		
Screw RTK ST 2.9x6.5	Torx panhead screw, Self-threading. Ø2.9mm. Length: 6.5 mm		
Nut M6M M2	Hex nut, M2 thread		

DO NOT OVER-TIGHTEN THE SCREWS!

The max torque for the different screw sizes are as follows:

M2 = 0,13 Nm

M2.5 = 0,26 Nm

M3 = 0,46 Nm

M4 = 1.1 Nm

THREAD LOCKING AND LUBRICATION



Threadlock like Loctite 243 should be used on screws that hold plastic parts, for instance the screws for the micro-switches.

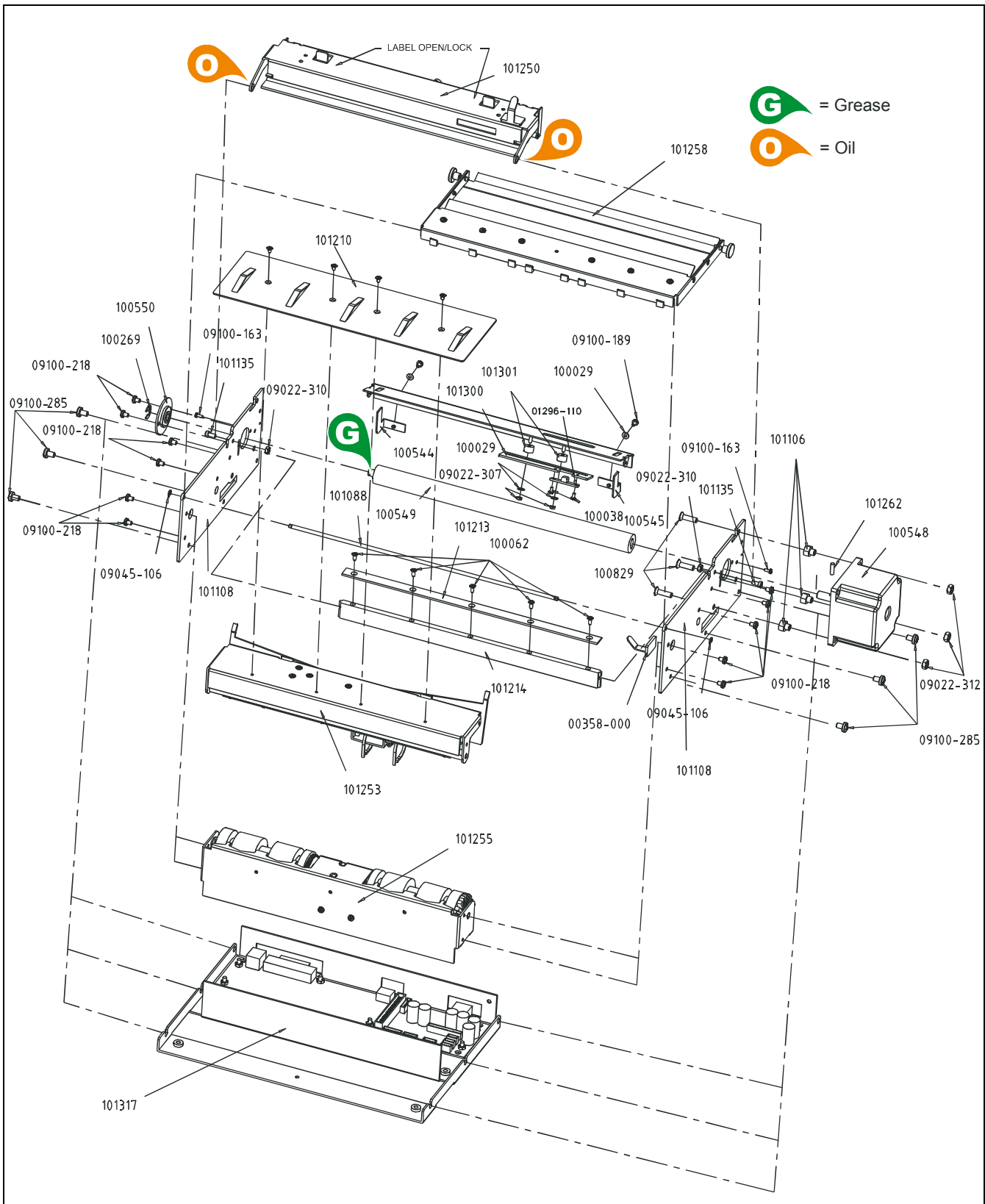


Use Dexron II or III automatic transmission oil.



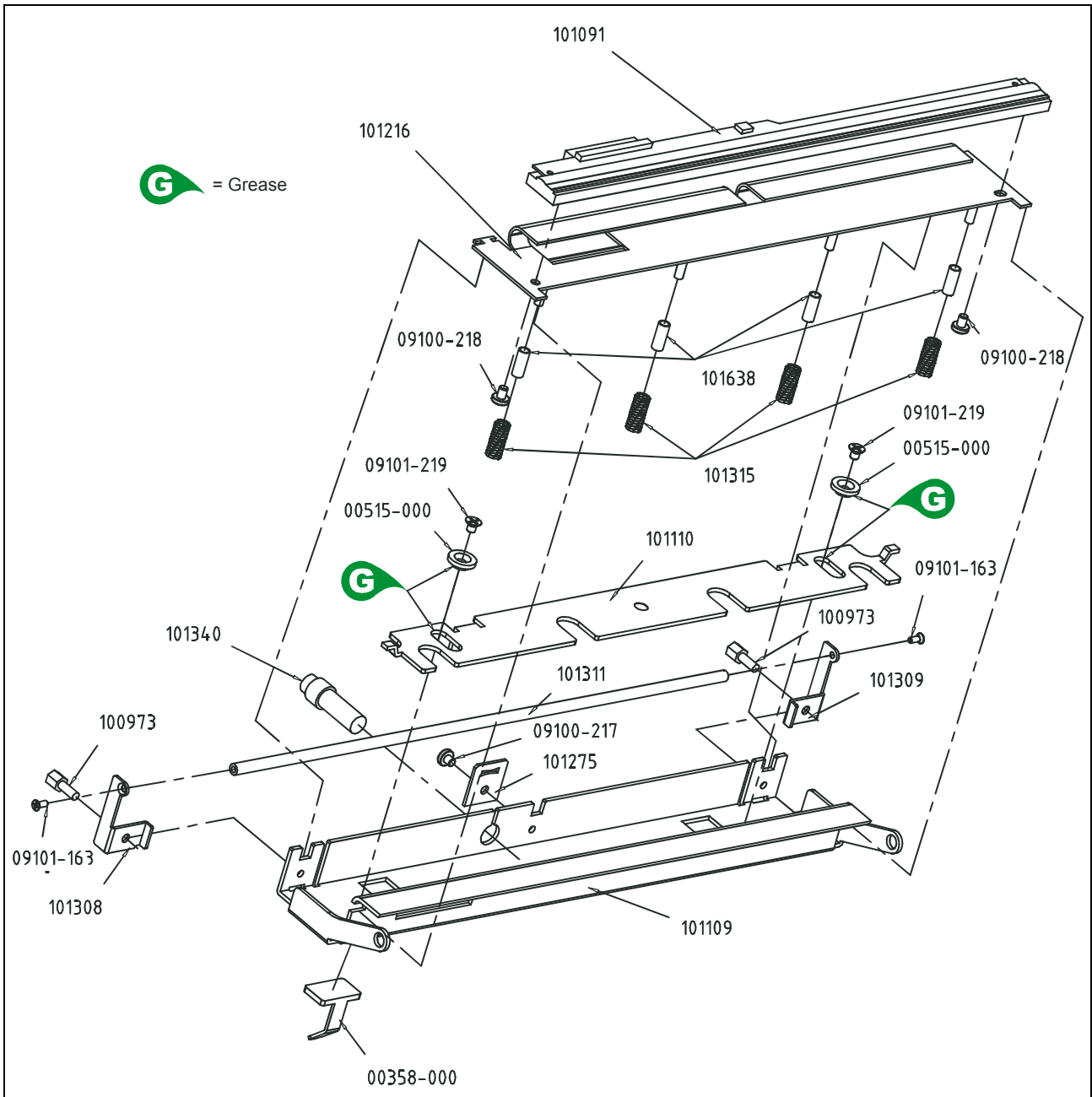
Use Hasco Z260 lithium-based grease.

2.1 TTP 8200 final assembly



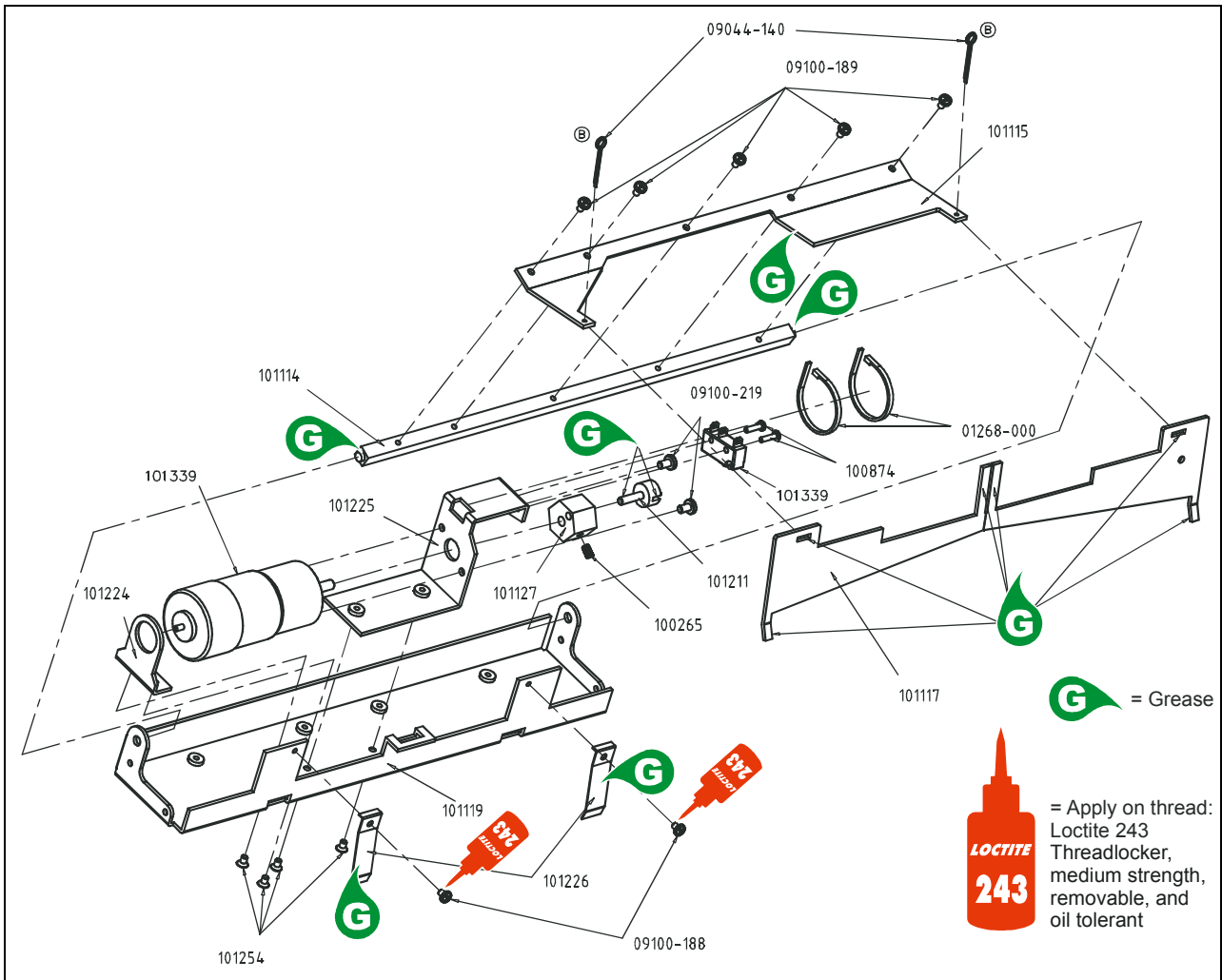
SP	Order No.	Designation	Qty.	Remarks
	01744-xxx	TTP 8200 Loop up		
X	00358-000	Cable Clamp	1 Pcs.	
x	01296-110	Opto sensor assy	1 Pcs.	
X	01669-000	Spacer DRM 2240x3	2 Pcs.	
X	02382-000	Label, "Swecoin"	1 Pcs.	
	04684-000	Tube spacer DRM 3260x2	2 Pcs.	
	09022-312	Nut M6M M4	3 Pcs.	
X	09022-310	Nut M6M M3	2 Pcs.	
X	09022-309	Nut M6M M2.5	2 Pcs.	
	09100-285	Screw MRX-H M4x6	6 Pcs.	
X	09100-220	Screw MRX M3x6	3 Pcs.	
X	09100-219	Screw MRX M3x5	8 Pcs.	
X	09100-189	Screw MRX M2.5x4	2 Pcs.	
	09100-163	Screw MRX-H M2x5	2 Pcs.	
X	09045-106	Circlip RS 2.3	2 Pcs.	
	100028	Washer DIN 125A M2	2 Pcs.	
	100029	Washer DIN 125A M2.5	2 Pcs.	
	100037	Screw MRX-H M2x4	2 Pcs.	
	100060	Screw MFX-H M2x6	5 Pcs.	
	100269	Circlip RS 5	1 Pcs.	
	100544	Guide, left	1 Pcs.	
	100545	Guide, right	1 Pcs.	
x	100549	Print platen assy.	1 Pcs.	
	100550	Bearing	1 Pcs.	
	100829	Screw MFX-H M4x14	3 Pcs.	
	101088	Shaft	1 Pcs.	
	101106	Hub M4x5,0x4,0	3 Pcs.	
	101108	Side plate	2 Pcs.	
	101112	Paper guide	1 Pcs.	
	101135	Screw bearing	2 Pcs.	
	101213	Guide	1 Pcs.	
	101214	Girder	1 Pcs.	
x	101250	Printhead assy. TTP 8200	1 Pcs.	
x	101253	Cutter Module assy, TTP 8x00	1 Pcs.	
x	101255	Presenter module assy. TTP 8x00	1 Pcs.	
x	101258	Presenter plate assy, loop up	1 Pcs.	
	101280	Label "Open/Lock"	2 Pcs.	
	101300	Sensor bracket	1 Pcs.	
x	101317	PCB cover assy	1 Pcs.	
x	101470	Stepper motor 23HS0401 assy	1 Pcs.	

2.2 Printhead assy.



SP	Order No.	Designation	Qty.	Remarks
x	101250	Printhead assy. TTP 8200		
X	00358-000	Cable Clamp	1 Pcs.	
X	00515-000	Hub	2 Pcs.	
X	09100-218	Screw MRX M3x4	2 Pcs.	
X	09100-217	Screw MRX M3x3	1 Pcs.	
	09101-163	Screw MFX-H M2x5	2 Pcs.	
	100973	Spacer DSS M3050x5	2 Pcs.	
X	101091	Thermal Print Head,216mm, 203dpi	1 Pcs.	
	101109	Printhead pressure plate	1 Pcs.	
	101110	Printhead lock bar	1 Pcs.	
x	101174	Printhead cable assy	1 Pcs.	
	101216	Printhead support	1 Pcs.	
	101275	Printhead lock plate	1 Pcs.	
	101280	Label "Open/Lock"	2 Pcs.	
	101308	Shaft support, right	1 Pcs.	
	101309	Shaft support, left	1 Pcs.	
x	101638	Tube spacer DRM 3240x10	4 Pcs.	
x	101311	Shaft	1 Pcs.	
x	101315	Compression spring 0.75x4x15	4 Pcs.	
x	101340	Indicator/switch assy.	1 Pcs.	

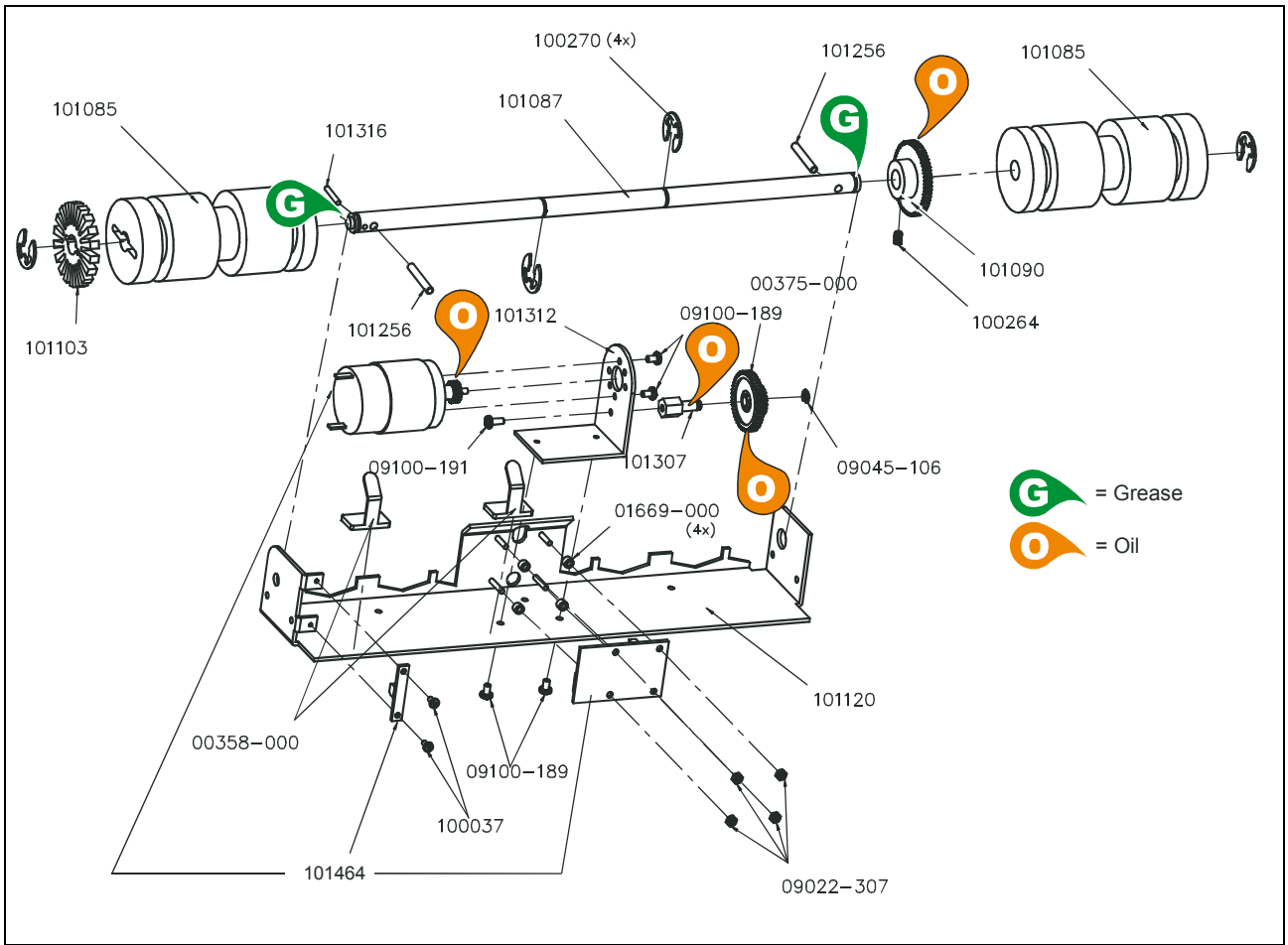
2.3 Cutter Module assy.



SP Order No.	Designation	Qty.	Remarks
x	101253 Cutter Module assy, TTP 8x00		
	01268-000 Tie-wrap, 71×1.8mm	2 Pcs.	
X	09100-219 Screw MRX M3x5	2 Pcs.	
X	09100-189 Screw MRX M2.5x4	5 Pcs.	
X	09100-188 Screw MRX M2.5x3	2 Pcs.	
	100265 Set screw SK6SS M3x5	1 Pcs.	
	100874 Screw MRX-H M2x8	2 Pcs.	
	101114 Shaft	1 Pcs.	
	101115 Cutter link	1 Pcs.	
x	101117 Cutter blade, moving	1 Pcs.	
	101119 Cutter base plate	1 Pcs.	
	101127 Drive block	1 Pcs.	
	101211 Drive pin	1 Pcs.	
	101224 Motor support	1 Pcs.	
	101225 Motor support bracket, cutter	1 Pcs.	
x	101226 Leaf spring	2 Pcs.	
	101254 Screw MFX-H M2.5x4	4 Pcs.	
x	101339 Cutter motor/sensor assy	1 Pcs.	

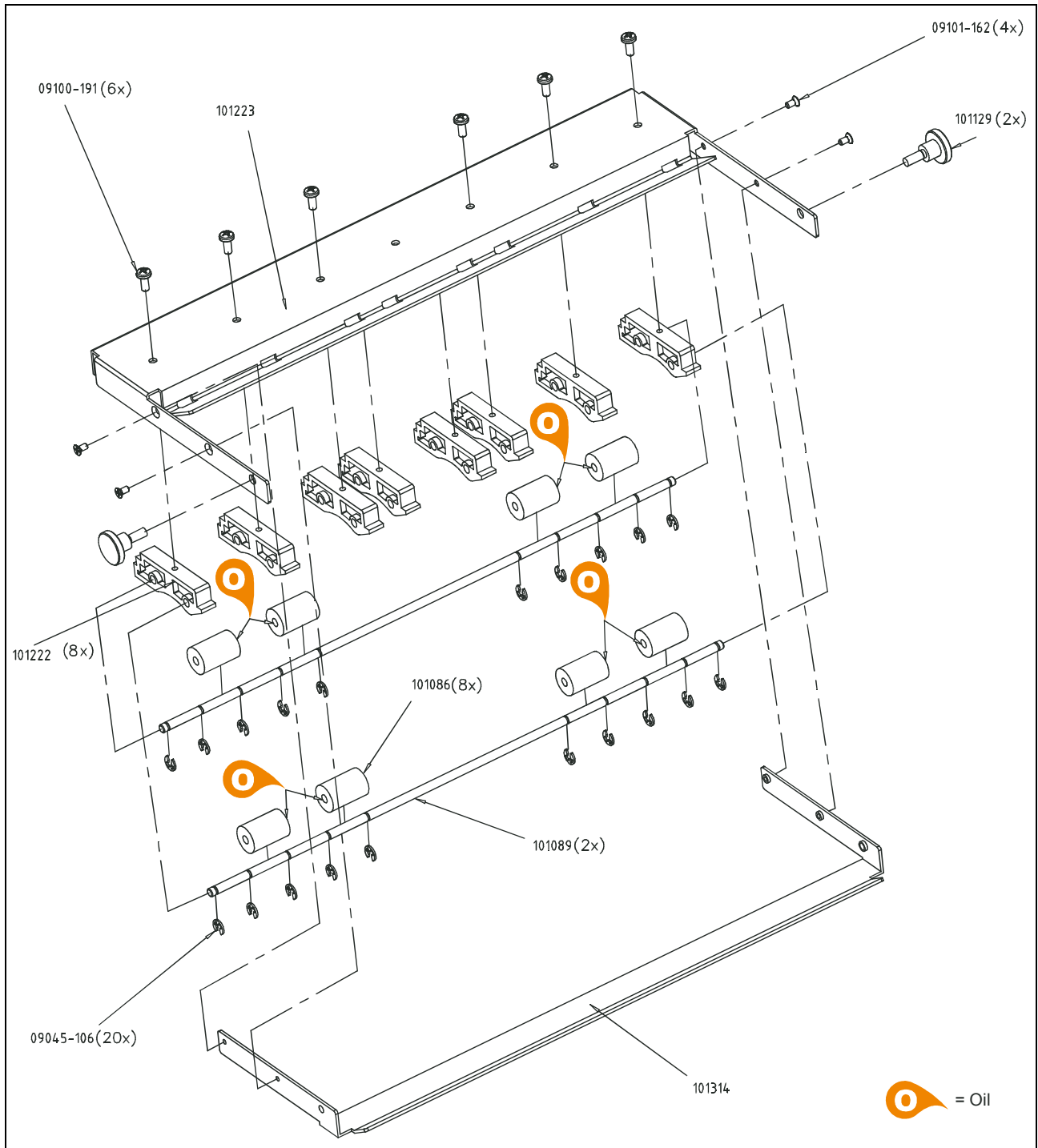
Ⓑ Split-pins where fitted on printers delivered 2001 with a serial number starting with:
1 01..

2.4 Presenter module assy.



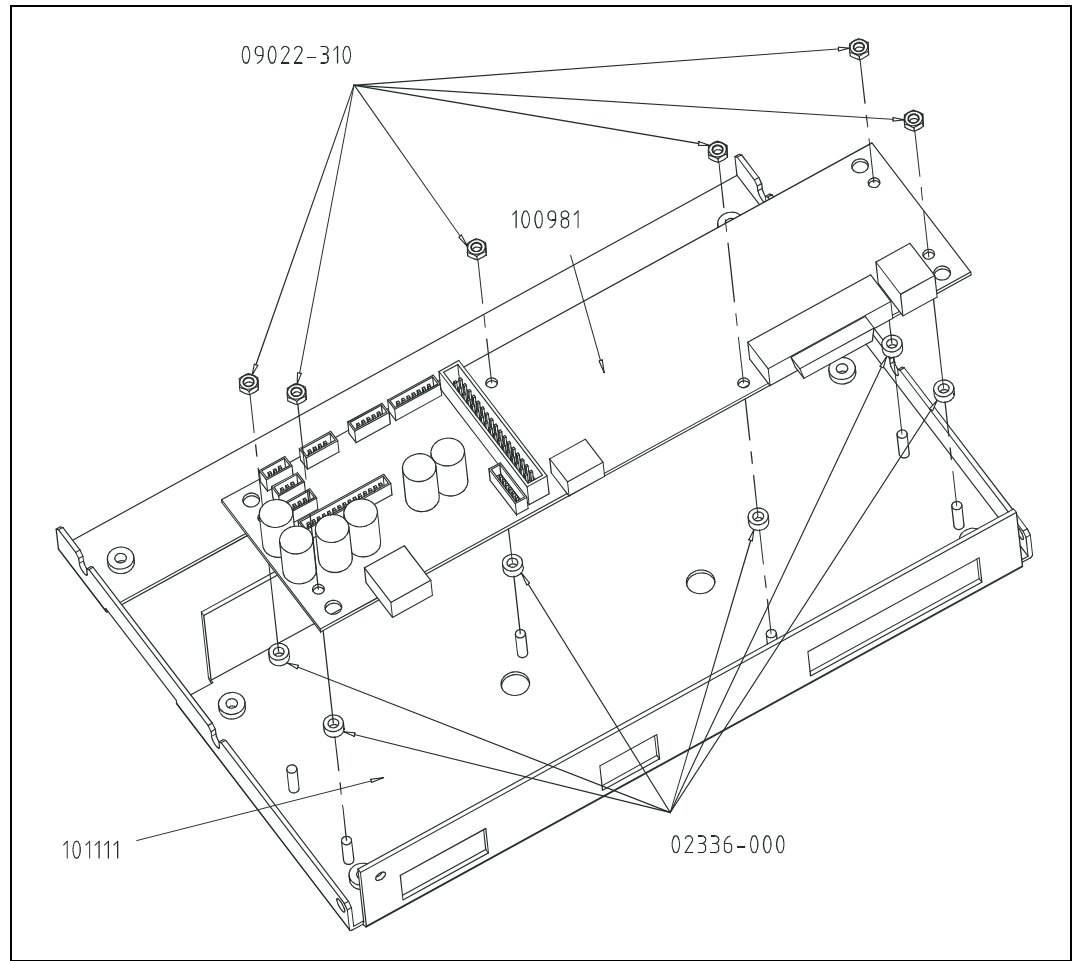
SP	Order No.	Designation	Qty.	Remarks
x	101255	Presenter module assy. TTP 8x00		
X	00358-000	Cable Clamp	2 Pcs.	
X	00375-000	Cog Wheel	1 Pcs.	
X	01669-000	Spacer DRM 2240x3	4 Pcs.	
X	09022-307	Nut M6M M2	4 Pcs.	
X	09100-189	Screw MRX M2.5x4	2 Pcs.	
X	09045-106	Circlip RS 2.3	1 Pcs.	
	100265	Set screw SK6SS M3x5	1 Pcs.	
x	101085	Feed roller	2 Pcs.	
	101087	Feed roller shaft	1 Pcs.	
	101090	Cogwheel ø31 mm	1 Pcs.	
x	101103	Code wheel	1 Pcs.	
	101104	Motor bracket	1 Pcs.	
	101120	Guide, lower	1 Pcs.	
	101254	Screw MFX-H M2.5x4	2 Pcs.	
	101256	Cylindrical pin, 3x20	2 Pcs.	
	101307	Stud	1 Pcs.	
	101312	Presenter motor bracket	1 Pcs.	
	101316	Cylindrical pin, 2x12	1 Pcs.	
x	101464	Presenter module electrical assy	1 Pcs.	

2.5 Presenter plate assy., loop upwards



SP	Order No.	Designation	Qty.	Remarks
x	101258	Presenter plate assy, loop up		
X	09100-191	Screw MRX M2.5x6	6 Pcs.	
X	09045-106	Circlips RS 2.3	20 Pcs.	
X	09101-162	Screw MFX M2x4	4 Pcs.	
x	101086	Pressure roll	8 Pcs.	
	101089	Pressure roll shaft	2 Pcs.	
x	101129	Thumb screw	2 Pcs.	
	101210	Cover plate	1 Pcs.	
x	101222	Support bearing, plastic	8 Pcs.	
	101223	Pressure plate	1 Pcs.	
	101254	Screw MFX-H M2.5x4	4 Pcs.	
	101314	Guide plate	1 Pcs.	

2.6 PCB cover assy.

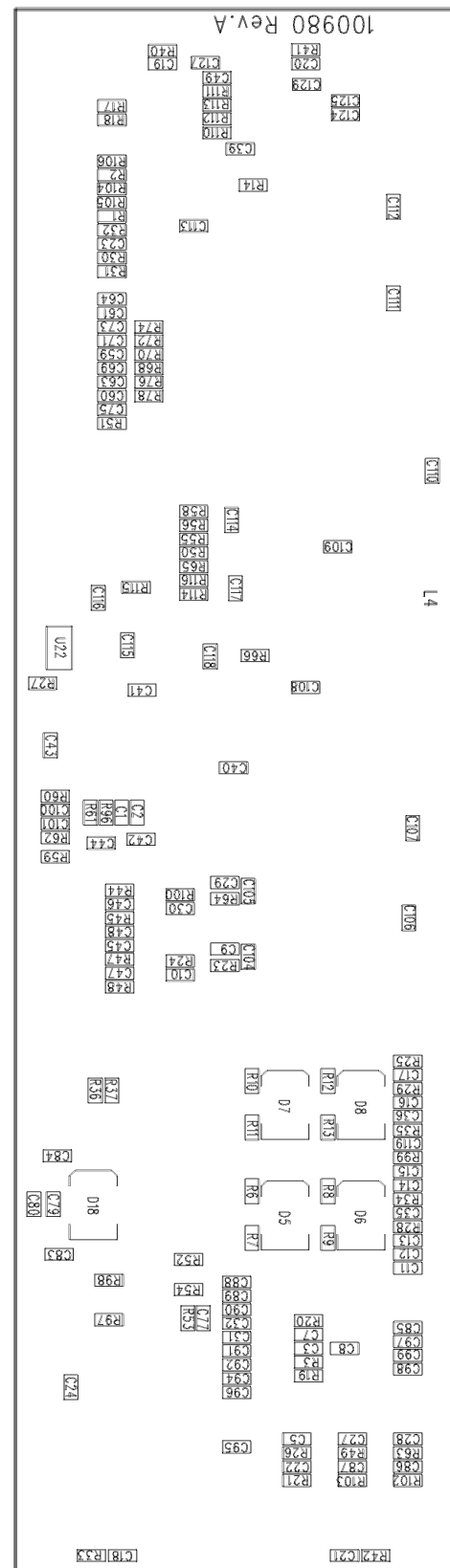
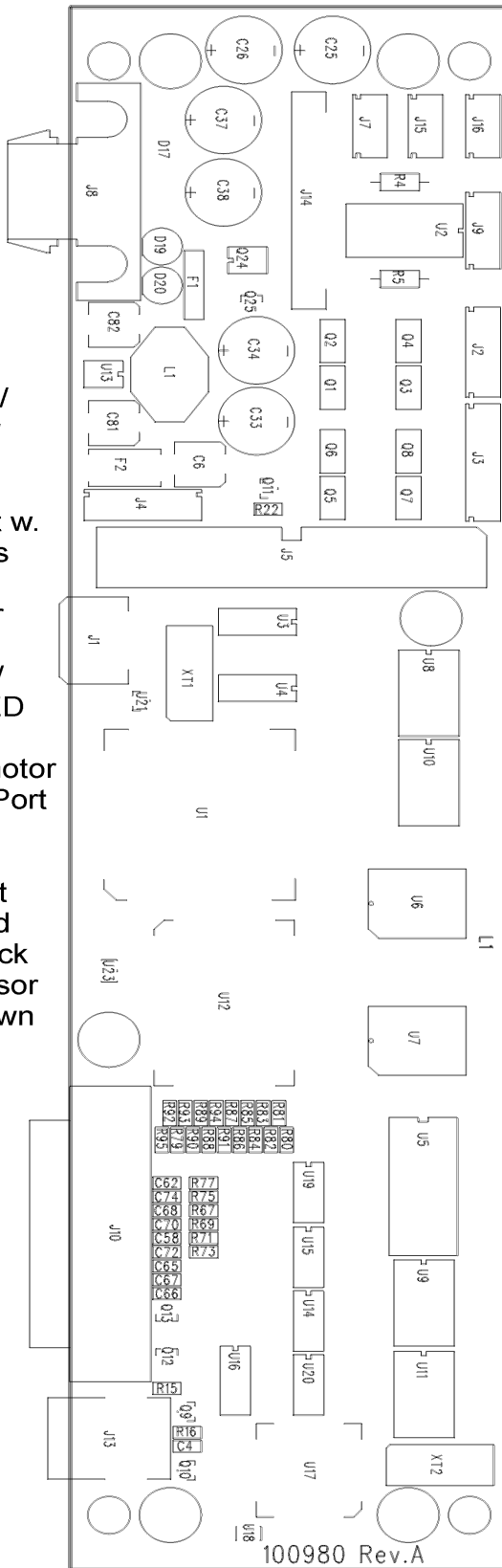


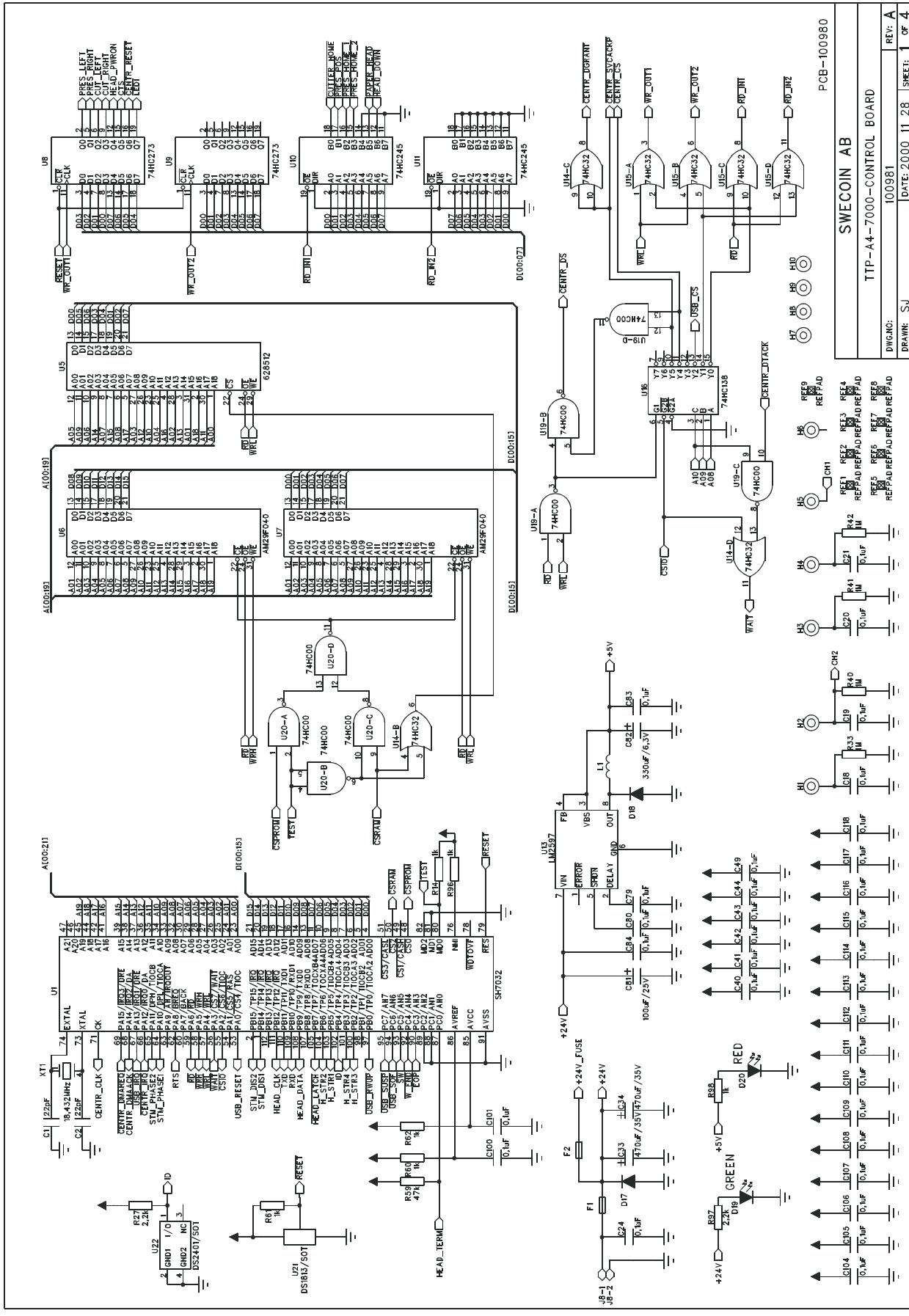
SP	Order No.	Designation	Qty.	Remarks
	101317	PCB cover assy		
X	02336-000	Spacer DRM 3260x3	6 Pcs.	
X	09022-310	Nut M6M M3	6 Pcs.	
x	100981	Control Board Assy, TTP 8200	1 Pcs.	
	101111	PCB cover	1 Pcs.	

3 DIAGRAMS

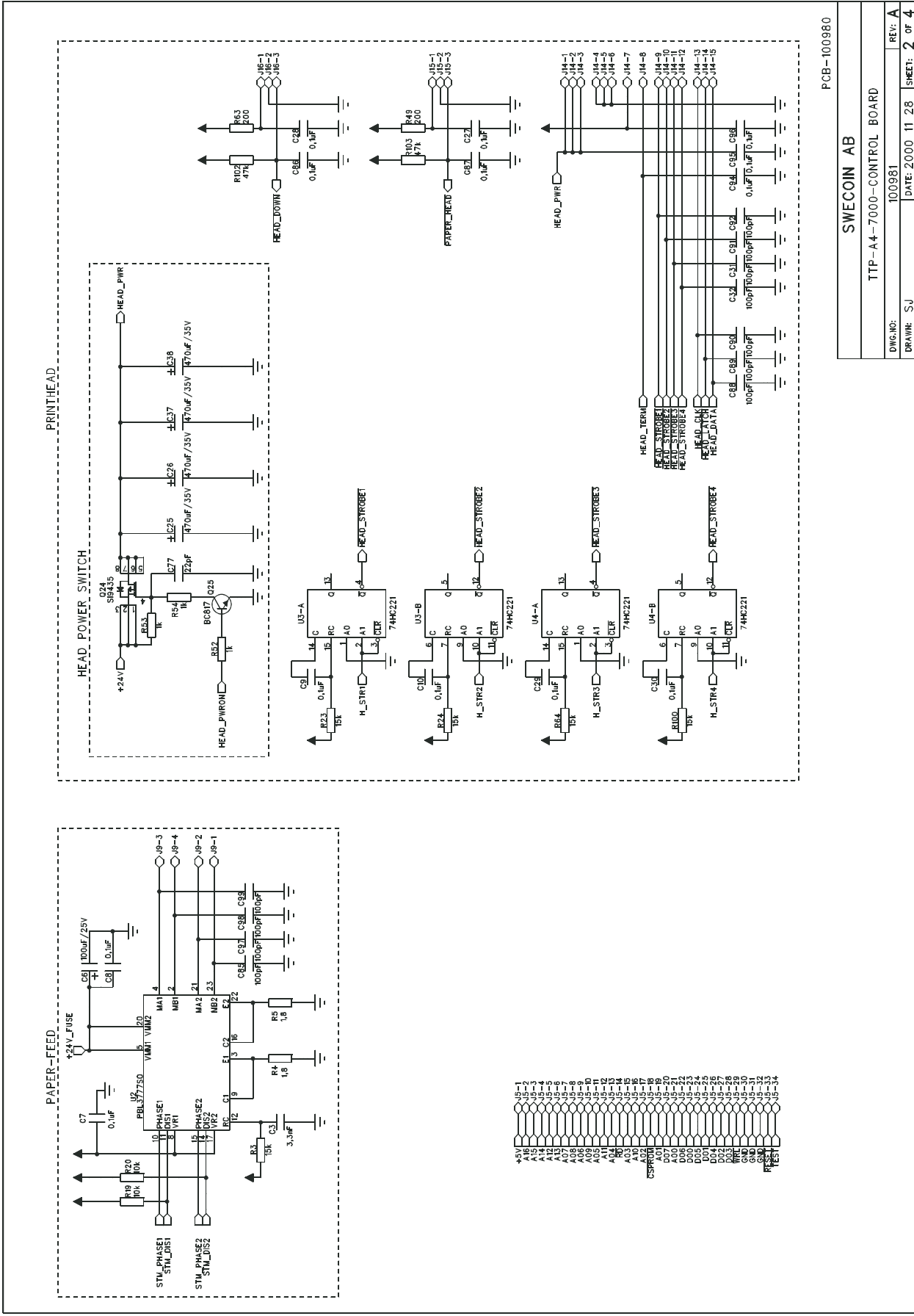
3.1 Control board 100980

- J1 Weekend / paper low
- J2 Cutter
- J3 Presenter
- J4 Serial port w. TTL levels
- J5 Boot connector
- J6 N.A.
- J7 FF-switch/ Yellow LED
- J8 Power
- J9 Stepper motor
- J10 Parallel Port
- J11 N.A.
- J12 N.A.
- J13 USB Port
- J14 Printhead
- J15 TOF/ black mark sensor
- J16 Head down





PCB-100980
 SWECOIN AB
 TTP-A4-7000-CONTROL BOARD
 DWGNO: 100981
 DRAWN: SJ
 DATE: 2000 11 28
 SHEET: 4 OF 4
 REV: A

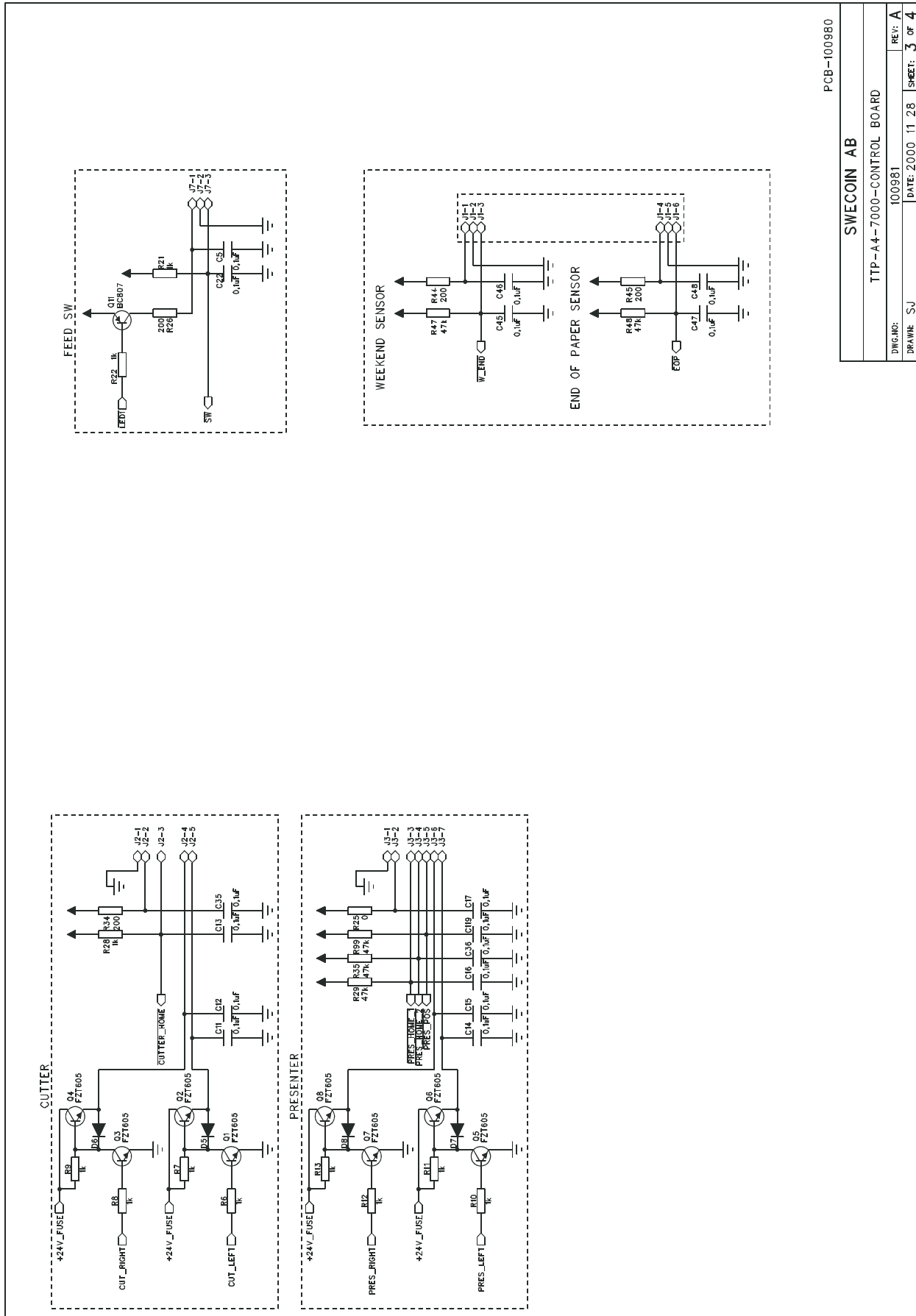


PCB-100980

SWEICIN AB

TTP-A4-7000-CONTROL BOARD

DWG.NO:	100981	REV:	A
DRAWN:	SJ	DATE:	2000 11 28
		SHEET:	2 OF 4



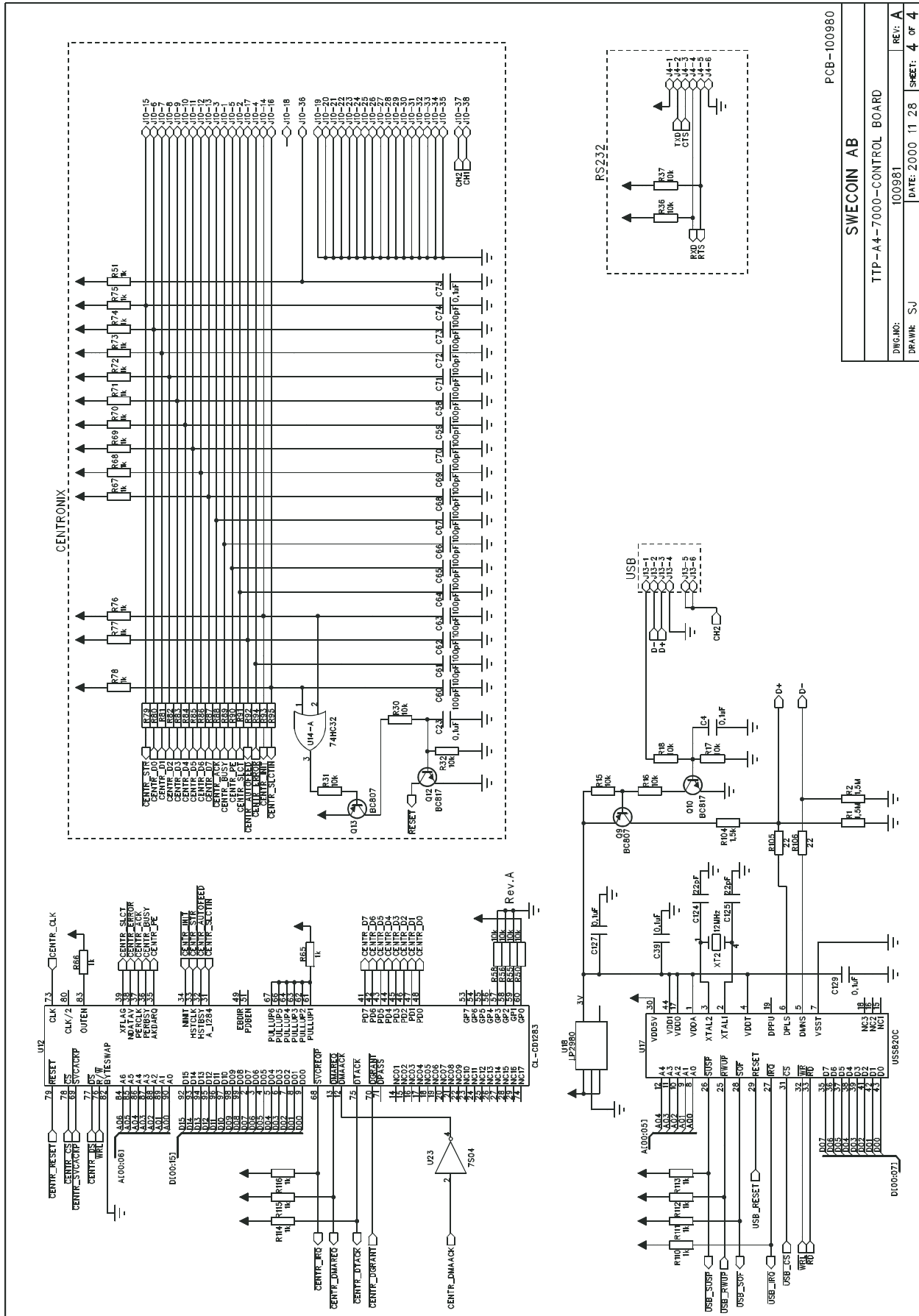
PCB-100980

SWEICOIN AB

TTP-A4-7000-Control Board

DWG. NO. 100981 REV. A

DATE: 2000.11.28 DRAWN: SJ SHEET: 3 of 4



PCB-100980

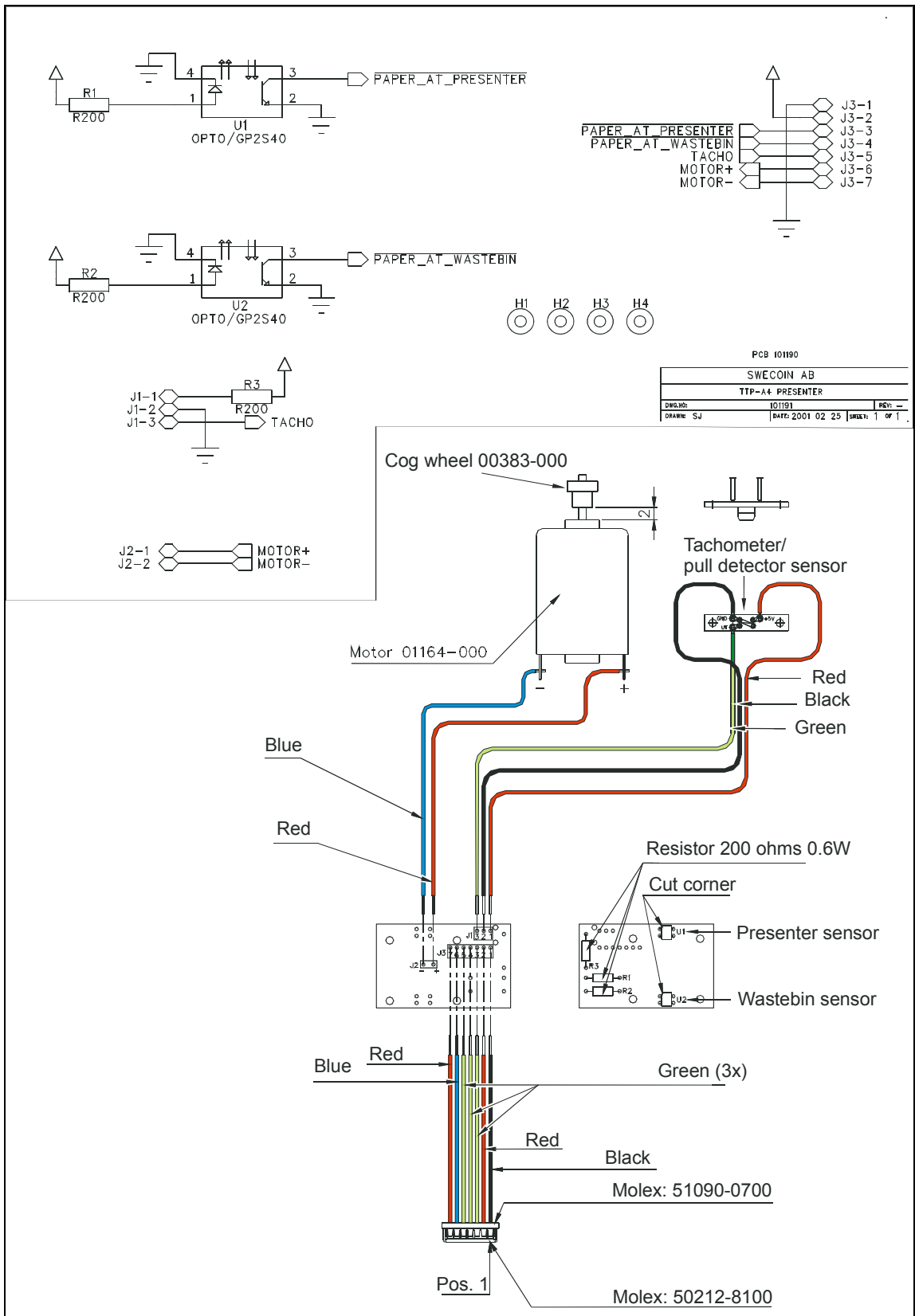
SWECOIN AB

TTP-A4-7000-CONTROL BOARD

DWG. NO:	100981	REV:	A
DATE:	2000 11 28	SHEET:	4 OF 4
DRAWN:	SJ		

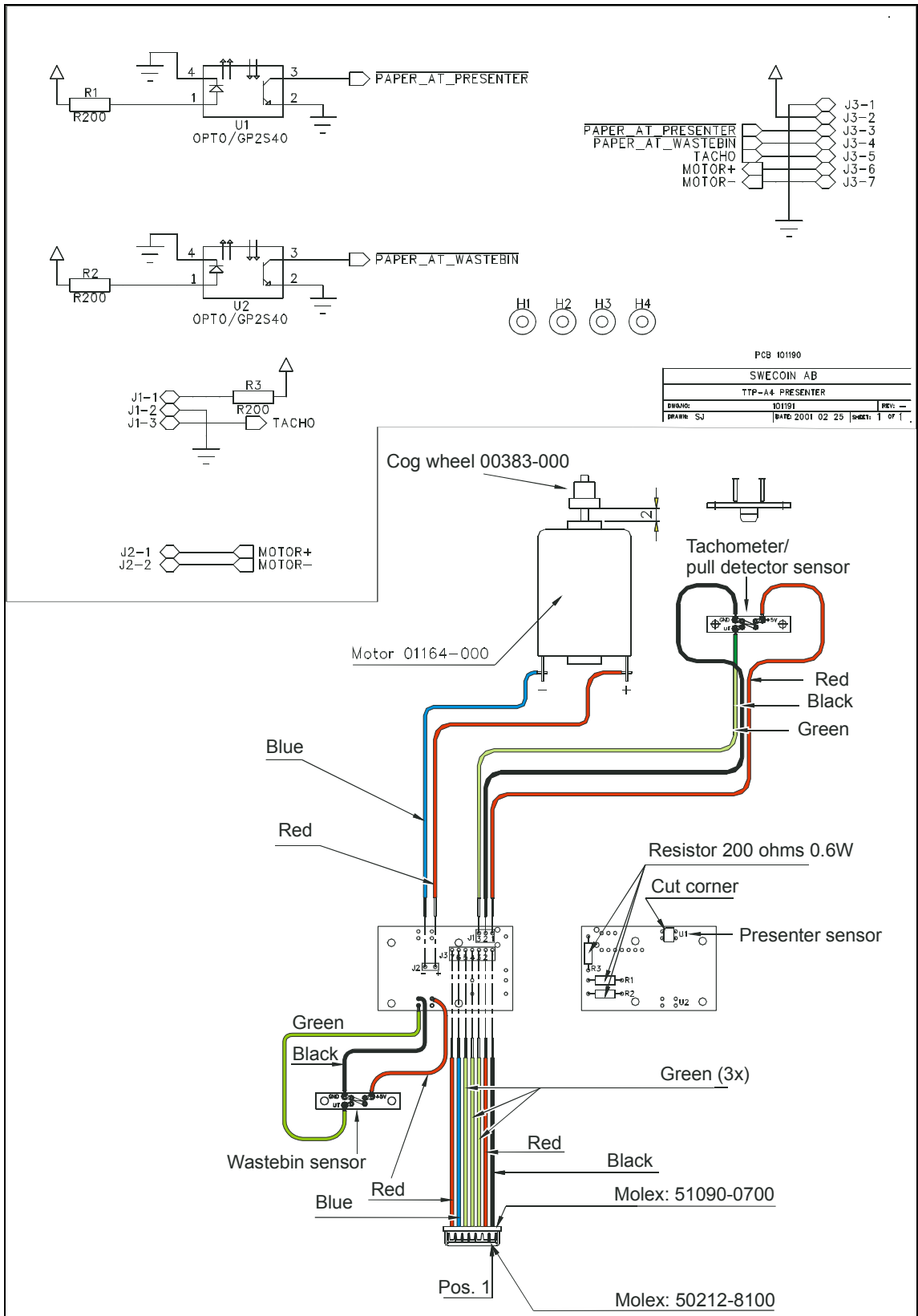
3.2 Presenter module electrical assy. 101464

For normal printers



3.3 Presenter module electrical assy. 101635

For vertical fit printers, 01760-xxx.



This page is intentionally left blank.